

Shooting Grip With Wireless Remote Commander GP-VPT2BT

Use this Help Guide when you have issues or questions on how to use your Shooting Grip With Wireless Remote Commander.



Supported camera models

This unit is Shooting Grip with the Bluetooth compatible wireless remote commander function (hereinafter referred to as “this unit”).

For camera models compatible with this unit, view here. (Another window will open.)

Pairing the unit with the mounted camera

Before establishing a Bluetooth connection, you must pair the unit with the camera (device registration). For the detailed procedure, view here.

What if the remote commander function of this unit fails to work?

In the event that the remote commander function of this unit fails to work, view here.

[Identifying the parts](#)

Preparations

[Unpacking](#)

[Inserting the battery](#)

[Pairing the unit with the mounted camera](#)

[Confirming the setting on the camera](#)

[Mounting the camera](#)

[Adjusting the tilt angle](#)

[Preventing unintentional operations](#)

Shooting

[About the camera shooting styles](#)

[Shooting a still image](#)

[Shooting a video](#)

[Zooming the camera](#)

[Indicator activities](#)

[Activating the camera's C1 function](#)

About this unit

[Notes on use](#)

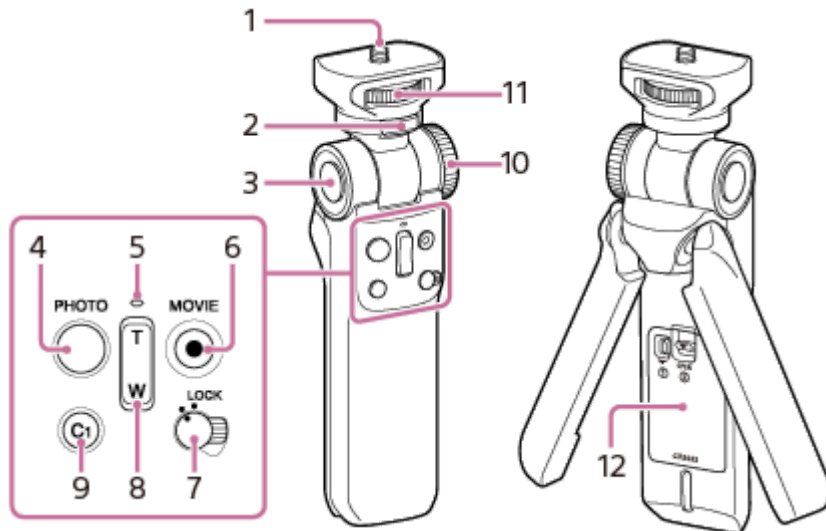
[Specifications](#)

[Trademarks](#)

Troubleshooting

[What if the remote commander function of this unit fails to work?](#)

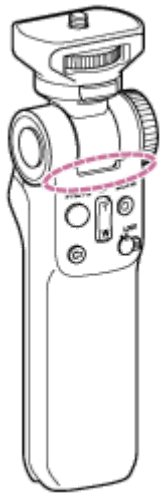
Identifying the parts



1. Camera mounting screw
2. Flip button
Flips around the mounted camera. For details, see [“Adjusting the tilt angle.”](#)
3. Angle adjusting button
Adjusts the angle of the grip. For details, see [“Adjusting the tilt angle.”](#)
4. PHOTO button
5. Indicator
6. MOVIE button
7. LOCK switch
Disables the remote commander function to prevent unintentional camera operations.
8. Zoom button
9. C1 button
Activates the function assigned to the C1 button on the camera. For details about the camera's settings, refer to the operating instructions supplied with your camera.
10. Adjustment wheel
Adjusts feel for changing the angle of the grip.
11. Camera mounting wheel
12. Battery chamber lid

About the built-in Bluetooth® antenna

This unit is equipped with a built-in Bluetooth antenna at the section shown in the following illustration. When you operate this unit, keep your hand away from the section to prevent a possible Bluetooth connection failure.



Related Topic

- [Activating the camera's C1 function](#)
- [Preventing unintentional operations](#)
- [Inserting the battery](#)
- [Pairing the unit with the mounted camera](#)
- [Indicator activities](#)

Shooting Grip With Wireless Remote Commander
GP-VPT2BT

Unpacking

If you find anything missing, please contact your dealer.
The number in the parentheses indicates the quantity.

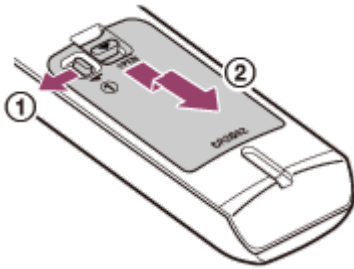
- Shooting Grip With Wireless Remote Commander (1)
- Lithium coin cell battery (CR2032) (1)
- Pouch (1)
- Set of printed documentation

Shooting Grip With Wireless Remote Commander
GP-VPT2BT

Inserting the battery

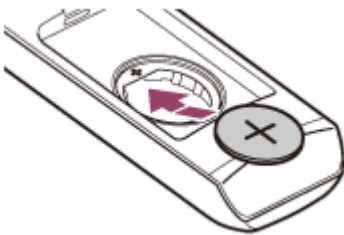
Insert the supplied lithium coin cell battery (CR2032) into the battery chamber of this unit.

- 1 Push the tab (①) on the battery chamber lid to the left and hold the tab, push down the other tab (②) on the lid, and then remove the battery chamber lid.



- 2 Insert the supplied lithium coin cell battery.

Insert the battery so that the + terminal is facing upward.
(+ on the battery chamber indicates the direction of the battery.)



- 3 Replace the battery chamber lid.

Shooting Grip With Wireless Remote Commander GP-VPT2BT

Pairing the unit with the mounted camera



Establish a Bluetooth connection between this unit and a camera.

Before establishing a Bluetooth connection, you must pair the unit with the camera (device registration).

Note


- The following is an example of the mounting procedure for Sony Interchangeable Lens Digital Cameras and Sony digital still cameras.
- Before you start pairing, make sure that the LOCK switch on this unit is NOT in the "LOCK" position.


Setting [Bluetooth Rmt Ctrl] to [On] on the camera

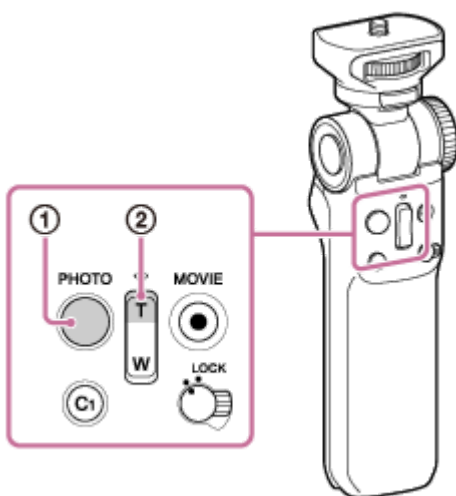
1. On the camera, select MENU →  (network) → [Bluetooth Settings] or [Bluetooth] → [Bluetooth Function] → [On].
2. On the camera, select MENU →  (network) → ([Transfer/Remote] →) [Bluetooth Rmt Ctrl] → [On].
If the pairing screen appears on the camera's screen, proceed to "Pairing."


Pairing

Note


- On the camera, select MENU →  (network) → ([Transfer/Remote] →) [Bluetooth Rmt Ctrl] and make sure that [On] is selected.

1. On the camera, select MENU →  (network) → [Bluetooth Settings] or [Bluetooth] → [Pairing].
2. On this unit, press and hold the PHOTO button (①) and the T side of the Zoom button (②) simultaneously for at least 7 seconds.



3. When a confirmation message appears on the camera's screen, select [OK].
 appears and pairing begins.
When pairing is complete, [Paired.] appears.

Note

- If pairing fails, the indicator on this unit flashes rapidly. If this happens, repeat the procedure described in “Pairing” all over again. A pairing attempt times out when a certain amount of time elapses between the actions in step 2 and step 3.
- In the event of the following, pair this unit with the mounted camera all over again.
 - You mounted a different camera on this unit for operation. (When you replaced the camera back with the previously mounted one, you must pair the unit with the mounted camera all over again as well.)
 - You reset the camera's network settings.
- If this unit is kept unused while a Bluetooth connection is established,  (no Bluetooth connection) may appear on the camera's screen.

Shooting Grip With Wireless Remote Commander
GP-VPT2BT

Confirming the setting on the camera

On the camera, select MENU →  (network) → ([Transfer/Remote] →) [Bluetooth Rmt Ctrl] and make sure that [On] is selected.

Note

- You cannot use the function for linking location information with a smartphone while [Bluetooth Rmt Ctrl] is set to [On].
- You cannot use an infrared remote commander while [Bluetooth Rmt Ctrl] is set to [On].
- While [Bluetooth Rmt Ctrl] is set to [On], the camera will not switch to the power-saving mode. Change the setting to [Off] when you are done using the Bluetooth remote commander.

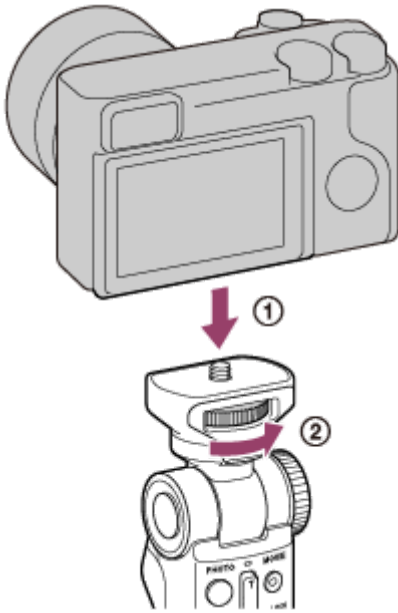
Shooting Grip With Wireless Remote Commander
GP-VPT2BT

Mounting the camera

Mount a camera to this unit.

Install the battery pack and a memory card in the camera before mounting to this unit.

- 1 Fit the camera mounting screw on this unit into the tripod screw hole on the bottom of the camera (①), and then turn the camera mounting wheel to secure the camera (②).



Note

- Be careful not to drop the camera or this unit.
- When you are finished with using this unit, remove it from the camera and keep it in the supplied pouch. Before removing the unit from the camera, turn the LOCK switch to the "LOCK" position.

Shooting Grip With Wireless Remote Commander
GP-VPT2BT

Adjusting the tilt angle

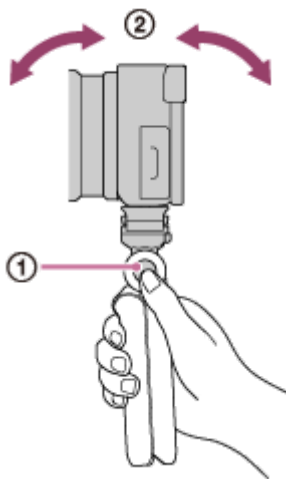
Adjust the tilt angle of the grip or the facing direction of the camera mounted on this unit.

To adjust the tilt angle of the grip

By pressing the angle adjusting button, you can change the tilt angle of the grip by 10 degrees.

- 1 Press and hold the angle adjusting button (①) and release the button when the grip is adjusted to the desired angle (②).

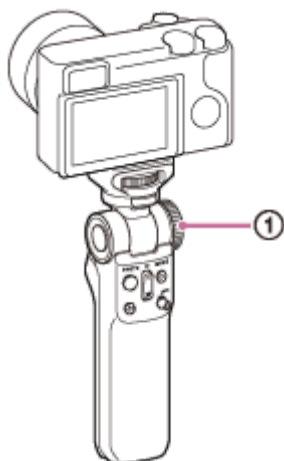
Before you press the angle adjusting button, be sure to hold the camera with your hand in case it tilts all at once. Do not change the angle of the grip by force without pressing the angle adjusting button.



- 2 Make sure that the angle adjusting button rises back into position to indicate that the grip is locked at the desired angle.

To adjust feel for changing the angle of the grip

Turn the adjustment wheel (①).

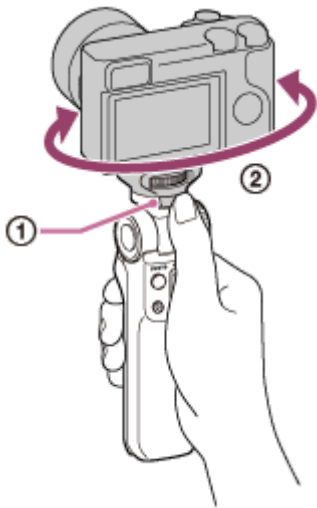


Hint

- If the camera mounted on this unit is heavy, the camera may tilt all at once while you are adjusting the tilt angle of the grip by pressing the angle adjusting button. To avoid this, it is recommended that you tighten the adjustment wheel (by turning it clockwise).
If the camera is light, on the other hand, it is easier to adjust the tilt angle of the grip when the adjustment wheel is loose.
- Do not tighten the adjustment wheel excessively.
- When the adjustment wheel is excessively tightened, you can use a coin or an equivalent to loosen the wheel.

To change the facing direction of the camera

By pressing the flip button (①), you can flip around the camera (②). Each time you press the button, the camera flips by 90 degrees.



Note

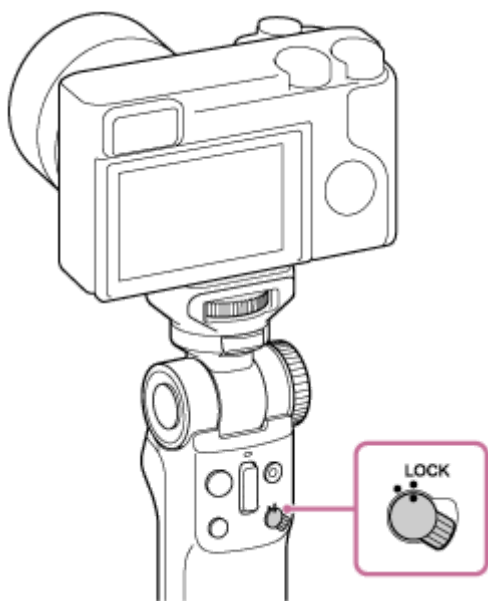
- Make sure that the angle adjusting button has risen back into position. If not, the grip is not locked. Hold the camera and change the angle by moving the grip until the angle adjusting button rises back into position.
- Depending on the tilt angle of the grip, the remote commander function of this unit does not work. In such a case, readjust the tilt angle of the grip.

Shooting Grip With Wireless Remote Commander
GP-VPT2BT

Preventing unintentional operations

You can disable the remote commander function of this unit to prevent unintentional camera operations that may occur while you are carrying around the unit along with the mounted camera.

- 1 Turn the LOCK switch to the “LOCK” position.

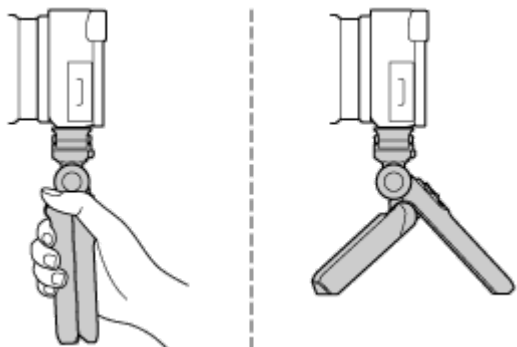


To enable the remote commander function, turn the LOCK switch away from the “LOCK” position.

Shooting Grip With Wireless Remote Commander
GP-VPT2BT

About the camera shooting styles

For camera shooting, grasp this unit with your hand or use it as a tripod by opening the legs of the unit.



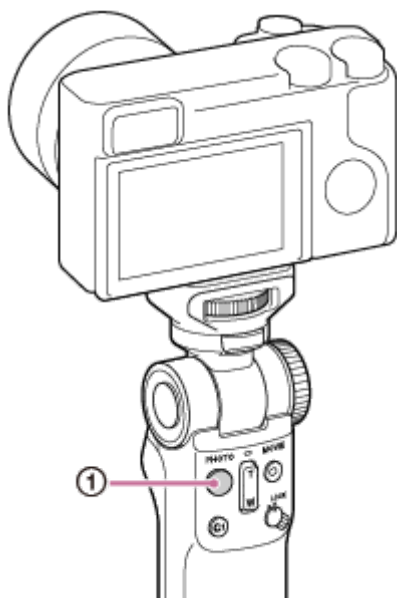
Shooting Grip With Wireless Remote Commander GP-VPT2BT

Shooting a still image

Operate this unit that has a Bluetooth connection with a camera to shoot a still image.

1 Press the PHOTO button (①).

Press the button halfway down to focus, and then press it all the way down to shoot.
When the camera comes into focus by the auto focus function, the indicator on this unit turns on.
When shooting is successful, the indicator turns on.



Related Topic

- [Pairing the unit with the mounted camera](#)
- [Shooting a video](#)

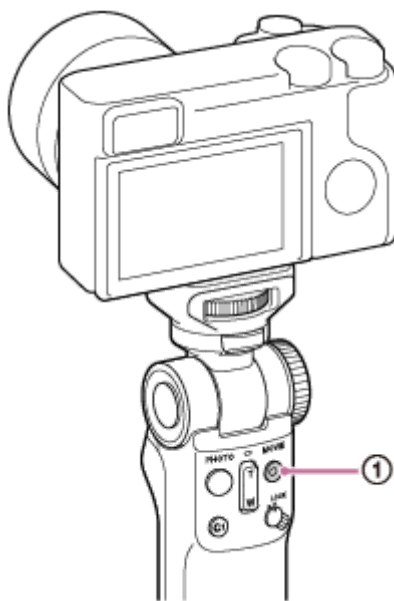
Shooting Grip With Wireless Remote Commander GP-VPT2BT

Shooting a video

Operate this unit that has a Bluetooth connection with a camera to shoot a movie.

1 Press the MOVIE button (①).

Movie shooting starts. To stop shooting, press the MOVIE button once again.
When shooting starts, the indicator on this unit turns on. When shooting stops, the indicator turns off.



Related Topic

- [Pairing the unit with the mounted camera](#)
- [Shooting a still image](#)

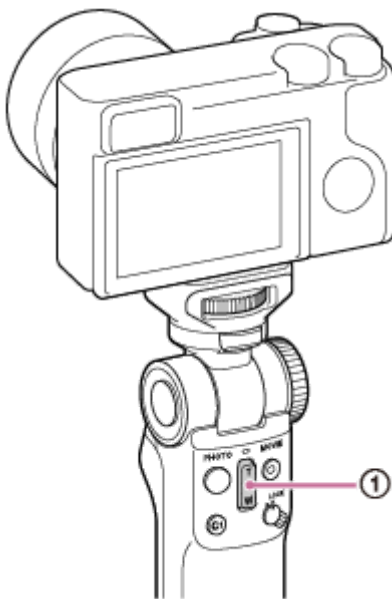
Shooting Grip With Wireless Remote Commander GP-VPT2BT

Zooming the camera

Operate this unit that has a Bluetooth connection with a camera to zoom in/out the camera.

1 Press the zoom button (①).

Press the T (Telephoto) end of the button to zoom in on a subject.
Press the W (Wide-angle) end of the button to zoom out on a subject.



By pressing and holding either end of the zoom button, you can zoom in/out on a subject faster.

Note

- The zoom speed varies depending on the camera or lens.
- The zoom function works with a camera or lens featuring a built-in electronic power zoom. If the digital zoom function of the camera is turned on, digital zooming will be performed.

Related Topic

- [Pairing the unit with the mounted camera](#)

Shooting Grip With Wireless Remote Commander
GP-VPT2BT

Indicator activities

The indicator on this unit lights or flashes in accordance with the operation of the remote commander function of this unit or with the operation or state of the camera as described below:

Lights	<ul style="list-style-type: none"> ● when the camera comes into focus by the auto focus function ● when you shoot a still image or start recording by pressing the PHOTO button ● while movie shooting is in progress ● when pairing succeeds ● when the camera receives zoom signals from this unit
Flashes	<ul style="list-style-type: none"> ● while pairing is in progress ● while the self-timer is in operation
Flashes rapidly	<ul style="list-style-type: none"> ● when the camera fails to receive remote operation signals from this unit ● when pairing fails ● when you switch the LOCK switch from "LOCK" to the position other than "LOCK" while the remaining battery power is low

Related Topic

- [Identifying the parts](#)

Shooting Grip With Wireless Remote Commander
GP-VPT2BT

Activating the camera's C1 function

By pressing the C1 button on this unit, you can activate the function assigned to the camera's C1 button.
For details about the camera's C1 button, refer to the operating instructions supplied with your camera.

Shooting Grip With Wireless Remote Commander GP-VPT2BT

Notes on use

- If the weight of the mounted camera exceeds the maximum weight limit of this unit (total weight of the mounted camera and accessories), the unit may fall over, resulting in damage.
- Be sure to mount your camera securely to this unit. When you hold the unit for camera shooting, be sure to grasp it firmly as well.
Failure to do so may cause dropping of the camera or unit, resulting in an accident or injury.
- Do not swing this unit around while a camera is mounted on it.
- Depending on the camera mounted on this unit, the camera's screen may bump into the grip head and stop while you are opening the screen. In such a case, do not attempt to further open the screen by force.
- Before you adjust the tilt angle of the grip or the facing direction of the camera mounted on this unit, be sure to hold the camera or its lens with your hand.
- When opening/closing the legs of this unit or adjusting the grip angle, keep your finger(s) out of the way to avoid the risk of being caught.
- When using this unit as a tripod, spread its legs to full extent and place the unit on a flat surface. Depending on the tilt angle of the grip head or the mounted camera, the unit may lose its balance and wobble. Do not use the unit if it wobbles.
- When you have attached an accessory to your camera and mounted the camera to this unit, check if the unit still stays in balance.
Depending on the attached accessory, the camera may not fit for use with the unit.
- Do not use this unit in a place subject to blowing wind or vibration to avoid the risk of falling over.
- When using this unit in an aircraft or a hospital, follow the instructions from the airline company or the hospital to avoid possible interference with instruments or medical devices caused by radio waves from this unit.

Do not use/store the unit in the following places

Storing under direct sunlight or near a heater

The unit may become discolored or deformed, and this may cause a malfunction.

Notes on the battery

- Make sure that the battery is worn out before disposal. To dispose of the battery, insulate the battery contacts with an adhesive strip.
If the battery fluid leaks, wipe away any fluid on the battery chamber before inserting a new battery.
If the battery fluid comes in contact with your body or clothing, thoroughly rinse it away with water.
- Depending on the length of the post production period, even a new battery may have a shorter life.

Related Topic

- [Inserting the battery](#)

Shooting Grip With Wireless Remote Commander
GP-VPT2BT**Specifications**

Maximum weight limit	Up to 1.5 kg (53.0 oz) (total weight of the mounted camera and accessories)
Dimensions (Approx.)	With the legs folded: 49.5 mm × 173.0 mm × 42.0 mm (2 in. × 6 7/8 in. × 1 11/16 in.) With the legs unfolded: 146.5 mm × 133.5 mm × 163.0 mm (5 7/8 in. × 5 3/8 in. × 6 1/2 in.) (W/H/D)
Mass (Approx.)	215 g (7.6 oz) (Black)/186 g (6.6 oz) (White) (Without the battery)

Design and specifications are subject to change without notice.



Shooting Grip With Wireless Remote Commander
GP-VPT2BT

Trademarks

- The Bluetooth[®] word mark and logos are registered trademarks owned by the Bluetooth SIG, Inc. and any use of such marks by Sony Group Corporation is under license.

What if the remote commander function of this unit fails to work?

Checking the Bluetooth setting on the camera

- [Bluetooth Function] may be set to [Off] on the camera.
On the camera, select MENU →  (network) → [Bluetooth Settings] or [Bluetooth] → [Bluetooth Function] and make sure that [On] is selected.
- [Bluetooth Rmt Ctrl] may be set to [Off] on the camera.
On the camera, select MENU →  (network) → ([Transfer/Remote] →) [Bluetooth Rmt Ctrl] and make sure that [On] is selected.

Checking the settings on this unit

- The remote commander function is disabled. Turn the LOCK switch on this unit away from the “LOCK” position.
- Pairing with the camera may be lost. Pair this unit with the camera all over again.
- The battery contained in this unit is worn out. Replace the battery with a new one.

Related Topic

- [Preventing unintentional operations](#)
- [Pairing the unit with the mounted camera](#)
- [Confirming the setting on the camera](#)
- [Inserting the battery](#)