



Klargøring

[Om denne Hjælpevejledning](#)

[Identifikation af dele](#)

[Fastgørelse af greb](#)

[Fastgørelse af smartphone](#)

[Fastgørelse af skærm](#)

[Tilslutning af en smartphone](#)

[Fastgørelse af mikrofon](#)

Brug som selfie-skærm

[Optagelse](#)

[Optagelse under opladning af smartphone](#)

Softwarelicens, juridisk meddelelse

[Bemærkninger om softwarelicens](#)

[Juridisk meddelelse](#)

Vlog Monitor
XQZ-IV01

Om denne Hjælpevejledning

Dette er Hjælpevejledningen for Vlog MonitorXQZ-IV01.

Bemærk!

- Efter system- og programopdateringer vises funktionerne i din enhed måske på en anden måde end beskrevet i denne Hjælpevejledning.

Bemærkninger om brug

Sørg for at læse de medfølgende "Vigtige oplysninger".

Overblik over enheden

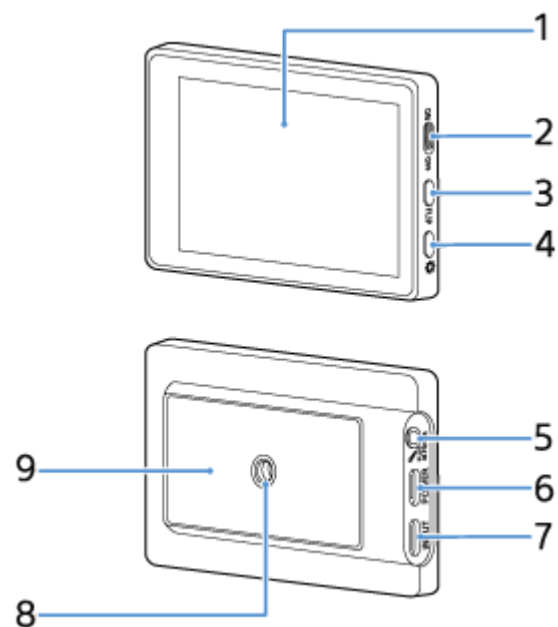
Fastgør denne enhed til bagsiden af Xperia, og kombinér den med et stativ osv. for at tage selfies med hovedkameraet i Xperia.



Xperia-modellen kompatibel med denne enhed er som følger.

- Sony smartphone Xperia PRO-I (DC 5,0 V/0,4 A)
- Sony smartphone Xperia 1 VI (DC 5,0 V/0,4 A)
- Sony smartphone Xperia 1 V (DC 5,0 V/0,4 A)
- Sony smartphone Xperia 1 IV (DC 5,0 V/0,4 A)
- Sony smartphone Xperia 5 V (DC 5,0 V/0,4 A)
- Sony smartphone Xperia 5 IV (DC 5,0 V/0,4 A)

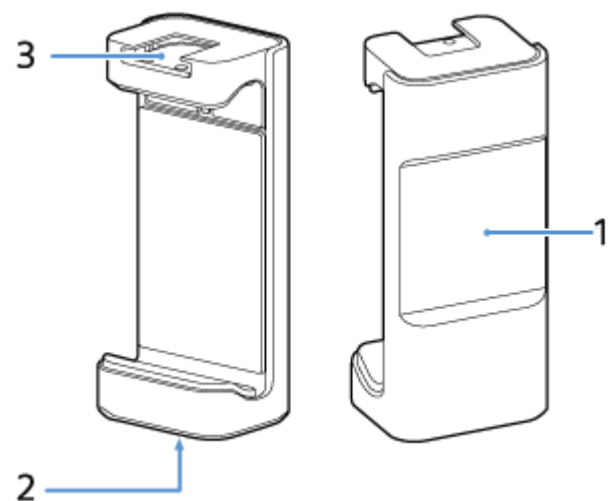
Identifikation af dele

Skærm



1. LCD-skærm (størrelse: 3,5 tommer/opløsning: 1280 × 720)
2. Kontakten ON/OFF (skærm TÆNDT/SLUKKET)
3. Knappen FLIP (vend skærm)
4. Knappen  (styring af lysstyrke)
5.  Mikrofonstik
6. POWER-port (opladning)
7. INPUT-port (indgang)
8. Hul til stativ
9. Område til fastgørelse af holder

Holder



1. Magnet til fastgørelse af skærm
2. Hul til stativ
3. Tilbehørssko

Tilslutningskabel

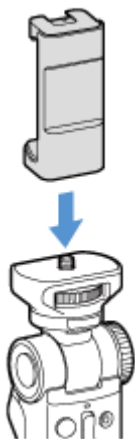


F-754-100-46(1) Copyright 2021 Sony Corporation

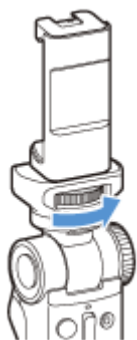
Fastgørelse af greb

Fastgør et greb med en skrue til montering af kamera.

- 1 Sæt grebets skrue til montering af kamera i holderens hul til stativ.



- 2 Drej grebets hjul til montering af kamera for at fastgøre holderen.

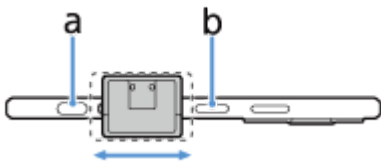


Bemærk!

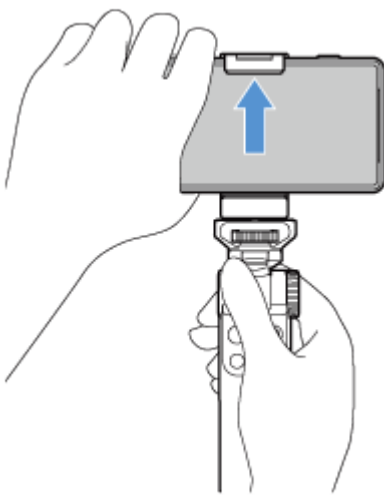
- Brug et stativ med en skrue kortere end 5,5 mm. Holderen kan ikke fastgøres ordentligt til et stativ med en skrue på 5,5 mm eller derudover, hvilket kan medføre, at enheden beskadiges.

Fastgørelse af smartphone

- 1 Placér holderen imellem smartphones kameratast (a) og til/fra-tast (b).

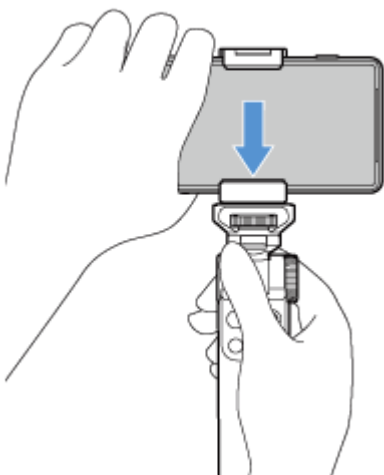


- 2 Anbring smartphonen oven på holderen.



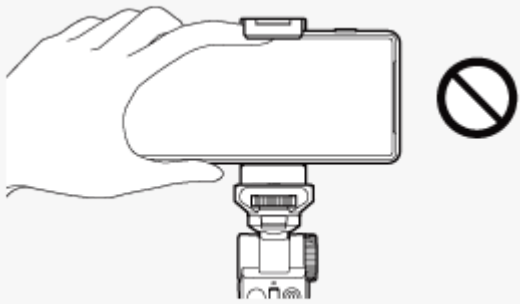
- 3 Få smartphonen til at passe under holderen.

Anbring smartphonen godt fast, så der ikke er nogen mellemrum imellem holder og smartphone.



Bemærk!

- Pas på ikke at klemme fingeren imellem holder og smartphone. Det kan medføre legemsbeskadigelse.

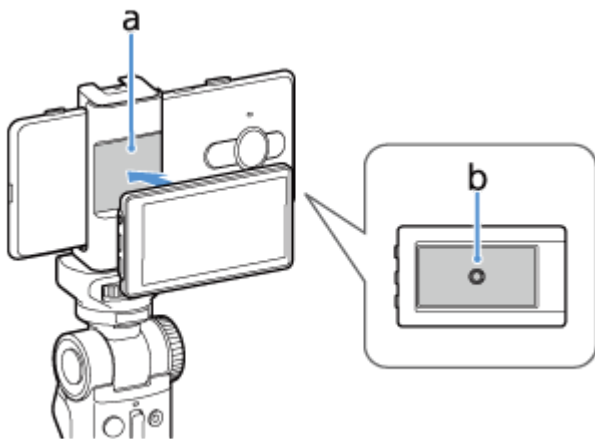


- Fastgør forsigtigt smartphonen, så ridser undgås.

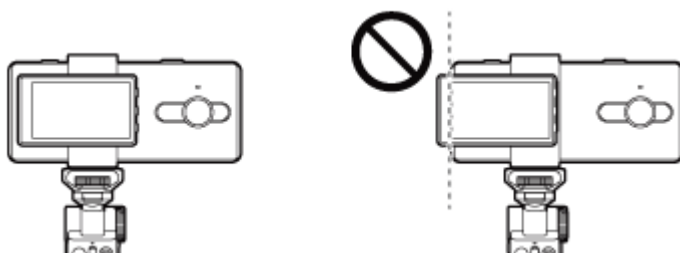
F-754-100-46(1) Copyright 2021 Sony Corporation

Fastgørelse af skærm

- 1 **Kombinér magneten på holderen (a) og området til fastgørelse af holder på skærmen (b) for at fastgøre skærmen ordentligt.**



- 2 **Justér skærmens position.**

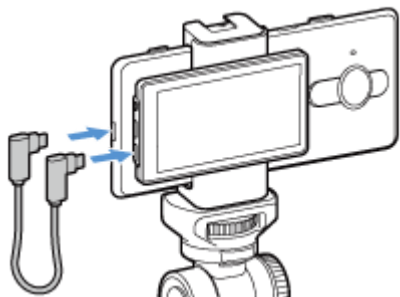


- Sørg for, at skærmen ikke dækker smartphonens kamera.
- Skærmens venstre side må ikke stikke ud fra smartphonen. Det kan medføre kommunikationsforstyrrelser.

Bemærk!

- Hvis skærmen ikke fastgøres korrekt, kan den falde ned, hvilket kan medføre legemsbeskadigelse, eller at enheden bliver ødelagt.

Tilslutning af en smartphone



- 1 Tilslut den ene ende af tilslutningskablet, der følger med denne enhed, til smartphonen.
- 2 Tilslut den anden ende af tilslutningskablet til skærmens INPUT-port (indgang).

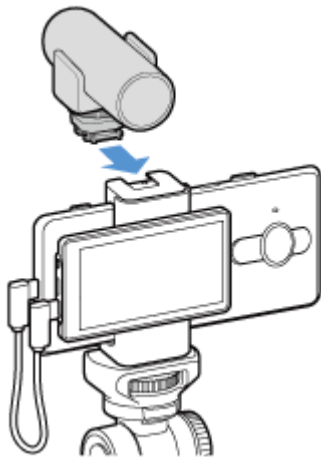
Bemærk!

- Hvis tilslutningskablet kobles fra under optagelse, stoppes optagelse. På dette tidspunkt vises en meddelelse muligvis på smartphonen om at tilslutte denne enhed igen. Følg instruktionerne.
- Vi kan ikke garantere ydelsen, hvis du bruger et andet kabel end tilslutningskablet, der følger med denne enhed. Brug altid det medfølgende tilslutningskabel.
- Når tilslutningskablet er tilsluttet, blinker skærmen et øjeblik på grund af strømtilførsel. Dette er ikke en fejl.

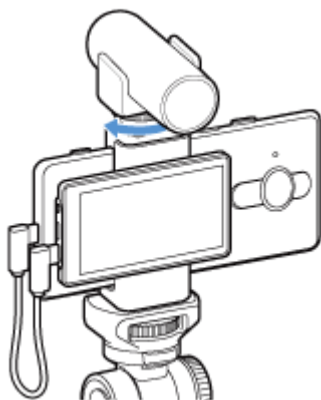
Fastgørelse af mikrofon

Det er muligt at fastgøre en mikrofon til enhedens tilbehørssko. Se også mikrofonens manual.

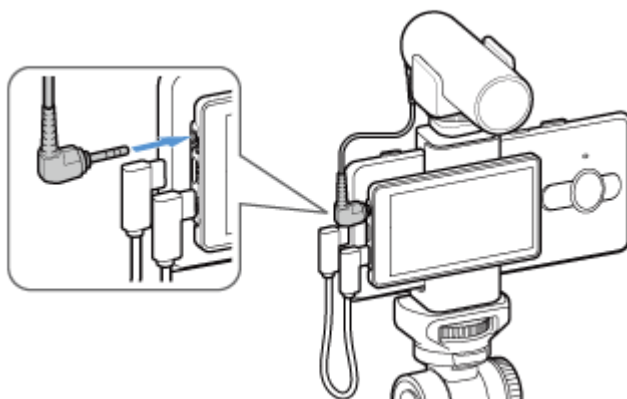
- 1 Ret mikrofonens fod op i forhold til tilbehørsskoen på holderen, og fastgør mikrofonen.




- 2 Drej mikrofonens låseknop for at fastgøre mikrofonen til holderen.



- 3 Tilslut mikrofonen til skærmens mikrofonstik med tilslutningskablet, der følger med mikrofonen.



- Smartphonens integrerede mikrofon tilsluttes automatisk til den eksterne mikrofon, når en mikrofon tilsluttes til  mikrofonstikket på enhedens skærm.

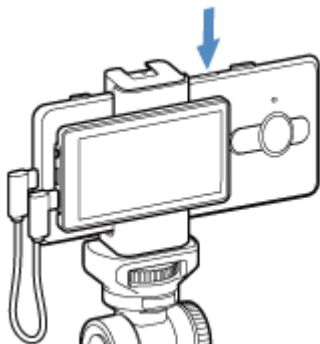
Bemærk!

- Tilslut mikrofonen, før appen startes.

Optagelse

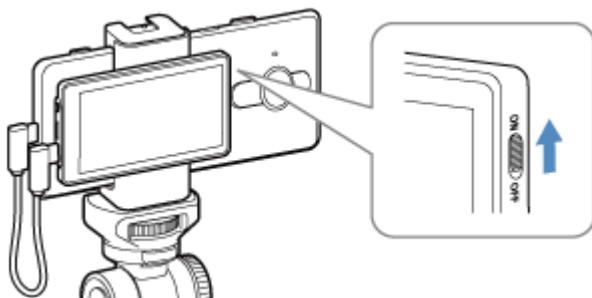
1 Tænd for smartphonen, og start den kompatible app.

Eksempel: Photography Pro, Videography Pro



2 Indstil kontakten ON/OFF (skærm TÆNDT/SLUKKET) til "ON".

Et kamerabillede udsendes fra smartphonen til enhedens LCD-skærm.




Sådan vendes skærmen

Tryk på knappen FLIP (vend skærm).

Skærmens retning ændres som følger, hver gang der trykkes på knappen.

Spejlvendt → Rigtigt → Rigtigt, på hovedet → Spejlvendt, på hovedet

Sådan justeres lysstyrken

Tryk på knappen  (styring af lysstyrke).

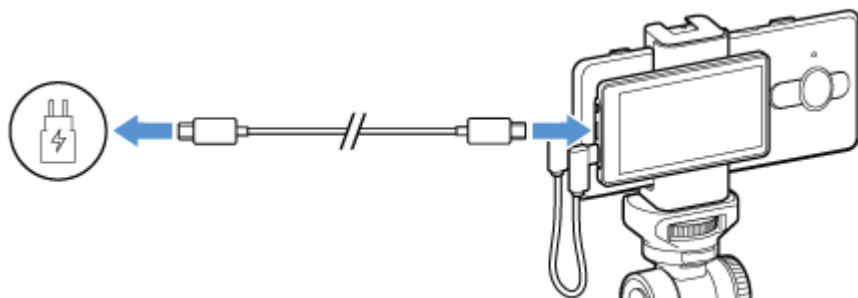
Lysstyrken ændres som følger, hver gang der trykkes på knappen.

Høj → Boost → Lav → Middel

Vlog Monitor
XQZ-IV01

Optagelse under opladning af smartphone

Det er muligt at optage, mens smartphonen er tilsluttet til denne enhed ved hjælp af et USB-kabel til opladning af smartphones.



- 1 Tilslut enheden til en smartphone.
- 2 Tilslut den ene ende af USB-kablet til USB-porten på opladeren.
- 3 Sæt opladeren i en stikkontakt.
- 4 Tilslut den anden ende af USB-kablet til enhedens POWER-port (opladning).

Bemærk!

- Hvis USB-kablet kobles fra under optagelse under opladning, stoppes optagelse. På dette tidspunkt vises en meddelelse muligvis på smartphonen om at tilslutte denne enhed igen. Følg instruktionerne.
- Hvis smartphonen slukkes, kan den ikke oplades via denne enhed.
- Lad ikke smartphonen forblive tilsluttet til enheden og opladeren, når den er slukket. Det kan få smartphonen til at svinge.
- Brug altid den originale Sony-oplader og USB-kablet, da andre typer opladere kan øge opladningstiden, slet ikke vil oplade eller ligefrem kan beskadige enheden.
 - Oplader og kabel, der følger med Xperia-modellen, der er kompatibel med denne enhed
 - Sony-lynoplader XQZ-UC1 (DC 5,0 V/3,0 A) og USB-kabel
- Enhedens INPUT-port og POWER-port er USB Type-C®.
- Brug altid det medfølgende tilslutningskabel for at forbinde denne enhed med en smartphone. Vi kan ikke garantere ydelsen, hvis du bruger et andet kabel end tilslutningskablet, der følger med denne enhed.
- Når en oplader forbindes med denne enhed, kommer strømmen fra POWER-porten igennem til INPUT-porten og derefter til smartphonen.
- Udgangseffektværdien fra enhedens INPUT-port til smartphonen er DC 5,0 V/2,6 A.

Vlog Monitor
XQZ-IV01

Bemærkninger om softwarelicens

Dette afsnit dækker softwaren brugt af dette produkt.

Notices for file(s):

SDK components and board peripheral drivers

SDK examples (USB VCOM)

SDK examples (PD)

SDK Peripheral Driver

SDK SoC files

USB USB stack for MCUXpresso SDK 2.7.0

Copyright (c) 2020-2021 NXP Semiconductors. All right reserved.

The BSD 3 Clause License

Redistribution and use in source and binary forms, with or without modification, are permitted provided that the following conditions are met:

1. Redistributions of source code must retain the above copyright notice, this list of conditions and the following disclaimer.
2. Redistributions in binary form must reproduce the above copyright notice, this list of conditions and the following disclaimer in the documentation and/or other materials provided with the distribution.
3. Neither the name of the copyright holder nor the names of its contributors may be used to endorse or promote products derived from this software without specific prior written permission.

THIS SOFTWARE IS PROVIDED BY THE COPYRIGHT HOLDERS AND CONTRIBUTORS "AS IS" AND ANY EXPRESS OR IMPLIED WARRANTIES, INCLUDING, BUT NOT LIMITED TO, THE IMPLIED WARRANTIES OF MERCHANTABILITY AND FITNESS FOR A PARTICULAR PURPOSE ARE DISCLAIMED. IN NO EVENT SHALL THE COPYRIGHT HOLDER OR CONTRIBUTORS BE LIABLE FOR ANY DIRECT, INDIRECT, INCIDENTAL, SPECIAL, EXEMPLARY, OR CONSEQUENTIAL DAMAGES (INCLUDING, BUT NOT LIMITED TO, PROCUREMENT OF SUBSTITUTE GOODS OR SERVICES; LOSS OF USE, DATA, OR PROFITS; OR BUSINESS INTERRUPTION) HOWEVER CAUSED AND ON ANY THEORY OF LIABILITY, WHETHER IN CONTRACT, STRICT LIABILITY, OR TORT (INCLUDING NEGLIGENCE OR OTHERWISE) ARISING IN ANY WAY OUT OF THE USE OF THIS SOFTWARE, EVEN IF ADVISED OF THE POSSIBILITY OF SUCH DAMAGE.

THE SOFTWARE IS PROVIDED "AS IS", WITHOUT WARRANTY OF ANY KIND, EXPRESS OR IMPLIED, INCLUDING BUT NOT LIMITED TO THE WARRANTIES OF MERCHANTABILITY, FITNESS FOR A PARTICULAR PURPOSE AND NONINFRINGEMENT. IN NO EVENT SHALL THE AUTHORS OR COPYRIGHT HOLDERS BE LIABLE FOR ANY CLAIM, DAMAGES OR OTHER LIABILITY, WHETHER IN AN ACTION OF CONTRACT, TORT OR OTHERWISE, ARISING FROM, OUT OF OR IN CONNECTION WITH THE SOFTWARE OR THE USE OR OTHER DEALINGS IN THE SOFTWARE.

CMSIS 5.6.0

Copyright (c) 2020-2021 Arm Limited. All rights reserved.

TERMS AND CONDITIONS FOR USE, REPRODUCTION, AND DISTRIBUTION

1. Definitions.

"License" shall mean the terms and conditions for use, reproduction, and distribution as defined by Sections 1 through 9 of this document.

"Licensor" shall mean the copyright owner or entity authorized by the copyright owner that is granting the License.

"Legal Entity" shall mean the union of the acting entity and all other entities that control, are controlled by, or are under common control with that entity. For the purposes of this definition, "control" means (i) the power, direct or indirect, to cause the direction or management of such entity, whether by contract or otherwise, or (ii) ownership of fifty percent (50%) or more of the outstanding shares, or (iii) beneficial ownership of such entity.

"You" (or "Your") shall mean an individual or Legal Entity exercising permissions granted by this License.

"Source" form shall mean the preferred form for making modifications, including but not limited to software source code, documentation source, and configuration files.

"Object" form shall mean any form resulting from mechanical transformation or translation of a Source form, including but not limited to compiled object code, generated documentation, and conversions to other media types.

"Work" shall mean the work of authorship, whether in Source or Object form, made available under the License, as indicated by a copyright notice that is included in or attached to the work (an example is provided in the Appendix below).

"Derivative Works" shall mean any work, whether in Source or Object form, that is based on (or derived from) the Work and for which the editorial revisions, annotations, elaborations, or other modifications represent, as a whole, an original work of authorship. For the purposes of this License, Derivative Works shall not include works that remain separable from, or merely link (or bind by name) to the interfaces of, the Work and Derivative Works thereof.

"Contribution" shall mean any work of authorship, including the original version of the Work and any modifications or additions to that Work or Derivative Works thereof, that is intentionally submitted to Licensor for inclusion in the Work by the copyright owner or by an individual or Legal Entity authorized to submit on behalf of the copyright owner. For the purposes of this definition, "submitted" means any form of electronic, verbal, or written communication sent to the Licensor or its representatives, including but not limited to communication on electronic mailing lists, source code control systems, and issue tracking systems that are managed by, or on behalf of, the Licensor for the purpose of discussing and improving the Work, but

excluding communication that is conspicuously marked or otherwise designated in writing by the copyright owner as "Not a Contribution."

"Contributor" shall mean Licensor and any individual or Legal Entity on behalf of whom a Contribution has been received by Licensor and subsequently incorporated within the Work.

2. Grant of Copyright License. Subject to the terms and conditions of this License, each Contributor hereby grants to You a perpetual, worldwide, non-exclusive, no-charge, royalty-free, irrevocable copyright license to reproduce, prepare Derivative Works of, publicly display, publicly perform, sublicense, and distribute the Work and such Derivative Works in Source or Object form.

3. Grant of Patent License. Subject to the terms and conditions of this License, each Contributor hereby grants to You a perpetual, worldwide, non-exclusive, no-charge, royalty-free, irrevocable (except as stated in this section) patent license to make, have made, use, offer to sell, sell, import, and otherwise transfer the Work, where such license applies only to those patent claims licensable by such Contributor that are necessarily infringed by their Contribution(s) alone or by combination of their Contribution(s) with the Work to which such Contribution(s) was submitted. If You institute patent litigation against any entity (including a cross-claim or counterclaim in a lawsuit) alleging that the Work or a Contribution incorporated within the Work constitutes direct or contributory patent infringement, then any patent licenses granted to You under this License for that Work shall terminate as of the date such litigation is filed.

4. Redistribution. You may reproduce and distribute copies of the Work or Derivative Works thereof in any medium, with or without modifications, and in Source or Object form, provided that You meet the following conditions:

(a) You must give any other recipients of the Work or Derivative Works a copy of this License; and

(b) You must cause any modified files to carry prominent notices stating that You changed the files; and

(c) You must retain, in the Source form of any Derivative Works that You distribute, all copyright, patent, trademark, and attribution notices from the Source form of the Work, excluding those notices that do not pertain to any part of the Derivative Works; and

(d) If the Work includes a "NOTICE" text file as part of its distribution, then any Derivative Works that You distribute must include a readable copy of the attribution notices contained within such NOTICE file, excluding those notices that do not pertain to any part of the Derivative Works, in at least one of the following places: within a NOTICE text file distributed as part of the Derivative Works; within the Source form or documentation, if provided along with the Derivative Works; or, within a display generated by the Derivative Works, if and wherever such third-party notices normally appear. The contents of the NOTICE file are for informational purposes only and

do not modify the License. You may add Your own attribution notices within Derivative Works that You distribute, alongside or as an addendum to the NOTICE text from the Work, provided that such additional attribution notices cannot be construed as modifying the License.

You may add Your own copyright statement to Your modifications and may provide additional or different license terms and conditions for use, reproduction, or distribution of Your modifications, or for any such Derivative Works as a whole, provided Your use, reproduction, and distribution of the Work otherwise complies with the conditions stated in this License.

5. Submission of Contributions. Unless You explicitly state otherwise, any Contribution intentionally submitted for inclusion in the Work by You to the Licensor shall be under the terms and conditions of this License, without any additional terms or conditions.

Notwithstanding the above, nothing herein shall supersede or modify the terms of any separate license agreement you may have executed with Licensor regarding such Contributions.

6. Trademarks. This License does not grant permission to use the trade names, trademarks, service marks, or product names of the Licensor, except as required for reasonable and customary use in describing the origin of the Work and reproducing the content of the NOTICE file.

7. Disclaimer of Warranty. Unless required by applicable law or agreed to in writing, Licensor provides the Work (and each Contributor provides its Contributions) on an "AS IS" BASIS, WITHOUT WARRANTIES OR CONDITIONS OF ANY KIND, either express or implied, including, without limitation, any warranties or conditions of TITLE, NON-INFRINGEMENT, MERCHANTABILITY, or FITNESS FOR A PARTICULAR PURPOSE. You are solely responsible for determining the appropriateness of using or redistributing the Work and assume any risks associated with Your exercise of permissions under this License.

8. Limitation of Liability. In no event and under no legal theory, whether in tort (including negligence), contract, or otherwise, unless required by applicable law (such as deliberate and grossly negligent acts) or agreed to in writing, shall any Contributor be liable to You for damages, including any direct, indirect, special, incidental, or consequential damages of any character arising as a result of this License or out of the use or inability to use the Work (including but not limited to damages for loss of goodwill, work stoppage, computer failure or malfunction, or any and all other commercial damages or losses), even if such Contributor has been advised of the possibility of such damages.

9. Accepting Warranty or Additional Liability. While redistributing the Work or Derivative Works thereof, You may choose to offer, and charge a fee for, acceptance of support, warranty, indemnity, or other liability obligations and/or rights consistent with this License. However, in accepting such obligations, You may act only on Your own behalf and on Your sole responsibility, not on behalf of any other Contributor, and only if You agree to indemnify, defend, and hold each Contributor harmless for any liability incurred by, or claims asserted against, such Contributor by reason of your accepting any such warranty or additional liability.

END OF TERMS AND CONDITIONS

APPENDIX: How to apply the Apache License to your work.

To apply the Apache License to your work, attach the following boilerplate notice, with the fields enclosed by brackets "{}" replaced with your own identifying information. (Don't include the brackets!) The text should be enclosed in the appropriate comment syntax for the file format. We also recommend that a file or class name and description of purpose be included on the same "printed page" as the copyright notice for easier identification within third-party archives.

Copyright {yyyy} {name of copyright owner}

Licensed under the Apache License, Version 2.0 (the "License");
you may not use this file except in compliance with the License.
You may obtain a copy of the License at

<http://www.apache.org/licenses/LICENSE-2.0>

Unless required by applicable law or agreed to in writing, software distributed under the License is distributed on an "AS IS" BASIS, WITHOUT WARRANTIES OR CONDITIONS OF ANY KIND, either express or implied. See the License for the specific language governing permissions and limitations under the License.

F-754-100-46(1) Copyright 2021 Sony Corporation

Vlog Monitor
XQZ-IV01

Juridisk meddelelse



Inden du tager enheden i brug, skal du læse folderen Vigtige oplysninger, der leveres separat.

Denne Hjælpevejledning er udgivet af Sony Corporation eller et af dets datterselskaber uden garanti. Sony Corporation forbeholder sig ret til uden forudgående varsel at foretage forbedringer og ændringer af denne Hjælpevejledning som følge af typografiske fejl, unøjagtigheder i de aktuelle oplysninger eller forbedringer af programmer og/eller udstyr. Eventuelle ændringer vil dog blive inkluderet i nye udgaver af denne Hjælpevejledning.

1-7-1 Konan Minato-ku Tokyo, 108-0075 Japan

Producent: Sony Corporation

EU-importør/producentens autoriserede repræsentant: Sony Europe B.V., Da Vincilaan 7-D1, 1930 Zaventem, Belgien.

UK-importør/producentens autoriserede repræsentant: Sony Europe B.V., The Heights, Brooklands, Weybridge, Surrey KT13 0XW, Storbritannien.

Alle produkt- og virksomhedsnavne, der er nævnt heri, er varemærker eller registrerede varemærker tilhørende deres respektive ejere. Der tages forbehold for alle rettigheder, der ikke udtrykkeligt er angivet heri. Alle andre varemærker tilhører deres respektive ejere.

Du kan finde flere oplysninger på <https://www.sony.net/Products/smartphones/trademarks-and-copyright.html>.

Alle illustrationer er udelukkende medtaget som eksempler og er muligvis ikke en nøjagtig gengivelse af det faktiske tilbehør.

Vlog Monitor
XQZ-IV01

FCC Statement

You are cautioned that any changes or modifications not expressly approved in this manual could void your authority to operate this equipment.

“Note: This equipment has been tested and found to comply with the limits for a Class B digital device, pursuant to part 15 of the FCC Rules. These limits are designed to provide reasonable protection against harmful interference in a residential installation. This equipment generates, uses and can radiate radio frequency energy and, if not installed and used in accordance with the instructions, may cause harmful interference to radio communications.

However, there is no guarantee that interference will not occur in a particular installation.

If this equipment does cause harmful interference to radio or television reception, which can be determined by turning the equipment off and on, the user is encouraged to try to correct the interference by one or more of the following measures:

- Reorient or relocate the receiving antenna.
- Increase the separation between the equipment and receiver.
- Connect the equipment into an outlet on a circuit different from that to which the receiver is connected.
- Consult the dealer or an experienced radio/TV technician for help.”

Supplier's Declaration of Conformity

Trade Name : Sony

Model : AI-1500

Responsible Party : Sony Electronics Inc.

Address : 16535 Via Esprillo, San Diego, CA 92127 U.S.A.

Telephone Number : 858-942-2230