

Vlog監視器
XQZ-IV01



準備

[關於本說明指南](#)

[部件識別](#)

[安裝手柄](#)

[安裝智慧型手機](#)

[安裝監視器](#)

[連接智慧型手機](#)

[連接麥克風](#)

作為自拍監視器使用

[拍攝](#)

[在智慧型手機充電時拍攝](#)

軟體授權・法律資訊

[關於軟體授權的注意事項](#)

[法律資訊](#)

Vlog監視器
XQZ-IV01

關於本說明指南

這是Vlog監視器XQZ-IV01說明指南。

注意

- 系統和應用程式更新，能讓各項功能以不同於本說明指南上說明的模樣，用另一種風貌在裝置上呈現。

使用注意事項

請務必要閱讀隨附的“重要資訊”。

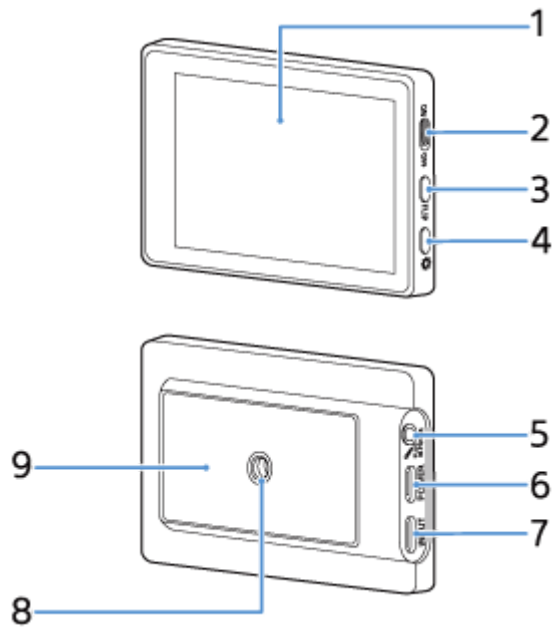
本裝置概覽

請將本裝置連接到Xperia背面，並結合三腳架等，以Xperia的主相機來自拍。
和本裝置相容的Xperia型號如下。

- Sony智慧型手機Xperia PRO-I (DC5.0V / 0.4A)
- Sony智慧型手機Xperia 1 V (DC5.0V / 0.4A)
- Sony智慧型手機Xperia 1 IV (DC5.0V / 0.4A)
- Sony智慧型手機Xperia 5 V (DC5.0V / 0.4A)
- Sony智慧型手機Xperia 5 IV (DC5.0V / 0.4A)

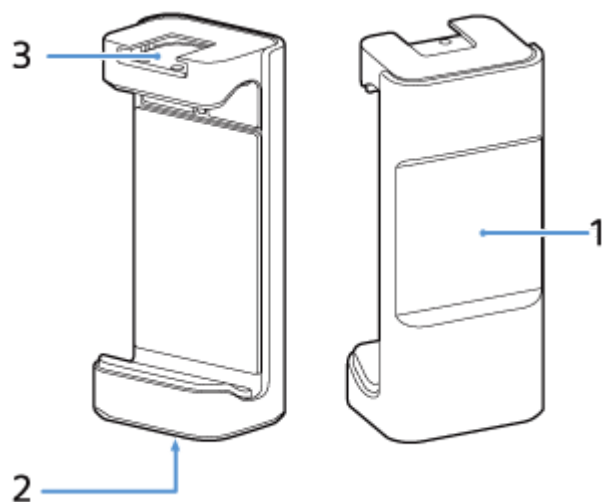
部件識別

監視器



1. LCD螢幕（尺寸：3.5英吋 / 解析度：1280 × 720）
2. ON/OFF（螢幕打開/關閉）開關
3. FLIP（螢幕翻轉）按鈕
4. ⚙️（亮度控制）按鈕
5. 🎤 麥克風插孔
6. POWER（充電）連接埠
7. INPUT（輸入）連接埠
8. 三腳架插座孔
9. 底座連接區域

底座



1. 用於連接監視器的磁鐵
2. 三腳架插座孔
3. 配件靴

連接線

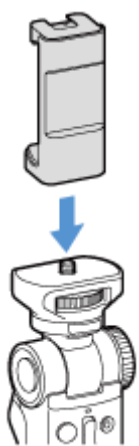


F-756-100-15(1) Copyright 2021 Sony Corporation

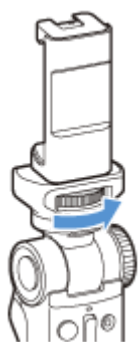
安裝手柄

使用相機安裝螺絲安裝手柄。

- 1 將夾具的相機安裝螺絲插入到底座的三腳架插座孔內。



- 2 轉動手柄的相機安裝輪以固定底座。

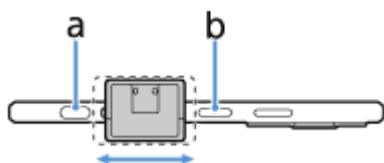


注意

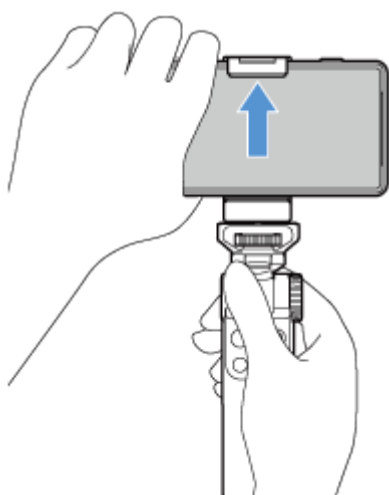
- 請使用螺絲長度小於5.5 mm的三腳架。使用長度5.5 mm或以上的螺絲無法將底座牢牢固定至三腳架，可能會造成本機損壞。

安裝智慧型手機

- 1 將底座放在智慧型手機的相機鍵 (a) 和電源鍵 (b) 之間。

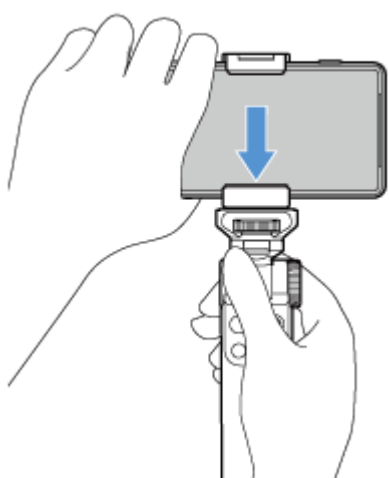


- 2 將智慧型手機放在底座頂部。



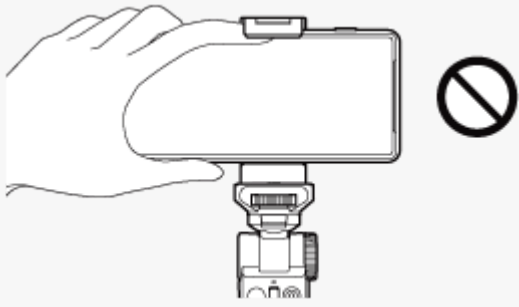
- 3 將智慧型手機固定在底座底部。

請穩固放置智慧型手機，使底座和智慧型手機之間沒有間隙。



注意

- 小心不要讓手指夾在底座和智慧型手機之間。否則可能造成身體傷害。

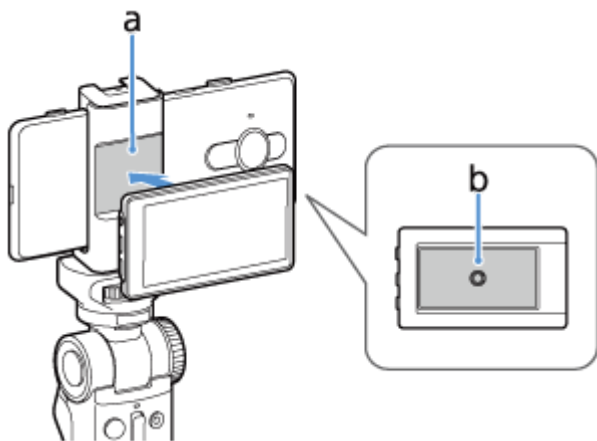


- 請小心連接智慧型手機，以免造成刮傷。

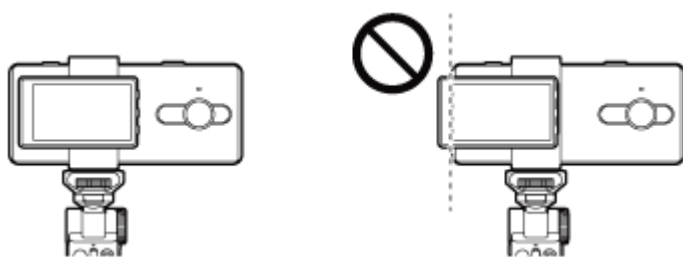
F-756-100-15(1) Copyright 2021 Sony Corporation

安裝監視器

- 1 連接底座磁鐵 (a) 和監視器的底座連接區域 (b) ，以正確安裝監視器。



- 2 調整監視器位置。

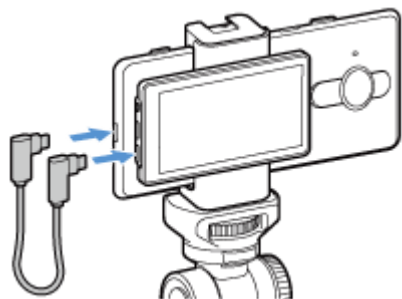


- 確認監視器沒有遮住智慧型手機的相機。
- 請勿使監視器左側超出智慧型手機。可能會造成通訊干擾。

注意

- 安裝監視器錯誤可能會使監視器掉落，造成人身傷害或本機故障。

連接智慧型手機



- 1 將本裝置隨附的連接線一端連接至智慧型手機。
- 2 將連接線另一端連接到監視器的**INPUT**（輸入）連接埠。

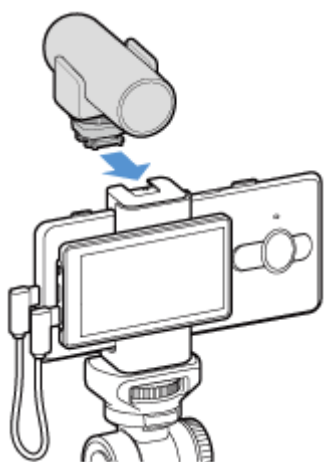
注意

- 如果在拍攝時拔下連接線，拍攝會停止。此時智慧型手機可能會顯示需要重新連接本裝置的訊息。請遵循指示。
- 如果您使用非本裝置隨附的連接線，我們無法保證效能。請務必使用隨附的連接線。
- 連接連接線時，監視器因為通電而會閃爍一下子。這不是故障。

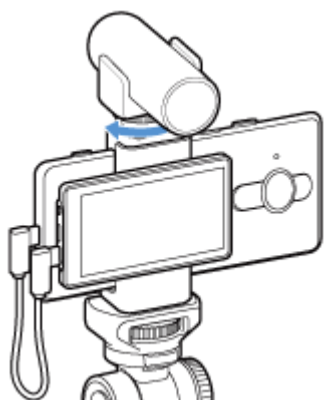
連接麥克風

您可將麥克風連接到本裝置的配件靴。也請參閱您的麥克風手冊。

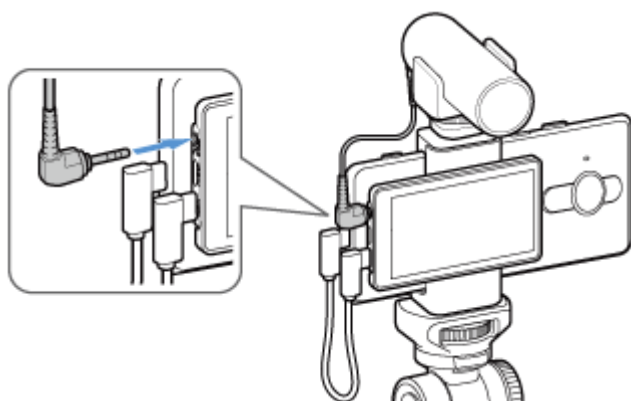
- 1 將麥克風的接腳對準底座上的配件靴，然後連接麥克風。



- 2 旋轉麥克風的鎖定鈕，將麥克風固定到底座。



- 3 以麥克風隨附的连接線，將麥克風連接到監視器的 麥克風插孔。



- 麥克風連接到本裝置的監視器  麥克風插孔時，智慧型手機的內部麥克風會自動切換為外部麥克風。

注意

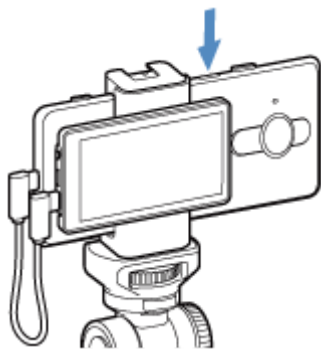
- 啟動應用程式之前請連接麥克風。

F-756-100-15(1) Copyright 2021 Sony Corporation

拍攝

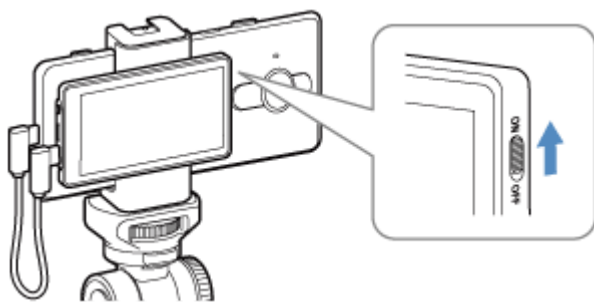
- 1 開啟智慧型手機電源，啟動相容的應用程式。

範例：Photography Pro、Videography Pro



- 2 將ON/OFF（螢幕打開/關閉）開關切換為“ON”。

相機影像從智慧型手機輸出到本裝置的LCD螢幕。



翻轉螢幕

按下FLIP（螢幕翻轉）按鈕。

每次按下按鈕，螢幕方向會變更如下。

鏡像 → 實像 → 實像，上下顛倒 → 鏡像，上下顛倒

若要調整亮度

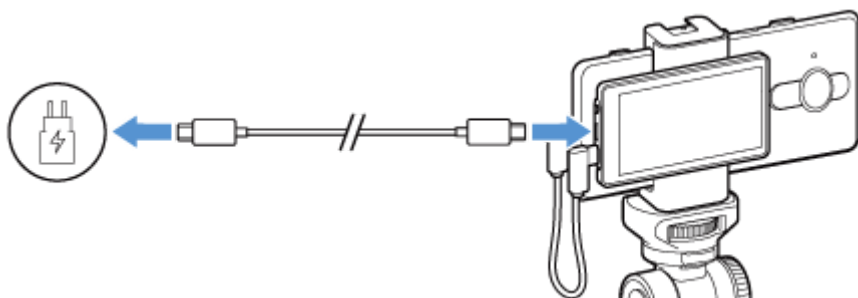
按下⚙️（亮度控制）按鈕。

每次按下按鈕，亮度會變更如下。

高 → 優化 → 低 → 中

在智慧型手機充電時拍攝

以智慧型手機的充電USB連接線為連接本裝置的智慧型手機充電時，可以拍攝。



- 1 將本裝置連接到智慧型手機。
- 2 將USB連接線一端連接至充電器的USB連接埠。
- 3 將充電器插入電源插座。
- 4 將USB連接線另一端連接到本裝置的POWER (充電) 連接埠。

注意

- 如果在充電中拍攝時拔下USB連接線，拍攝會停止。此時智慧型手機可能會顯示需要重新連接本裝置的訊息。請遵循指示。
- 如果智慧型手機電源關閉，就無法透過本裝置來充電。
- 智慧型手機電源關閉時，請勿連接本裝置和充電器。否則可能使智慧型手機故障。
- 請務必使用下列原廠Sony充電器和USB連接線，這是因為其他充電器類型可能會延長充電時間、無法充電，甚至損壞您的裝置。
 - Xperia機型隨附，而且與本裝置相容的充電器和連接線
 - Sony快速充電器XQZ-UC1 (DC5.0V / 3.0A) 和USB連接線
- 本裝置的INPUT連接埠和POWER連接埠是USB Type-C®。
- 請務必使用隨附的連接線將本裝置連接到智慧型手機。如果您使用非本裝置隨附的連接線，我們無法保證效能。
- 您將充電器連接到本裝置時，電力從POWER連接埠傳送經INPUT連接埠，然後到智慧型手機。
- 從本裝置的INPUT連接埠輸出到智慧型手機的額定值是DC5.0V / 2.6A。

Vlog監視器
XQZ-IV01

關於軟體授權的注意事項

本章節說明本產品使用的軟體。

Notices for file(s):

SDK components and board peripheral drivers

SDK examples (USB VCOM)

SDK examples (PD)

SDK Peripheral Driver

SDK SoC files

USB USB stack for MCUXpresso SDK 2.7.0

Copyright (c) 2020-2021 NXP Semiconductors. All right reserved.

The BSD 3 Clause License

Redistribution and use in source and binary forms, with or without modification, are permitted provided that the following conditions are met:

1. Redistributions of source code must retain the above copyright notice, this list of conditions and the following disclaimer.
2. Redistributions in binary form must reproduce the above copyright notice, this list of conditions and the following disclaimer in the documentation and/or other materials provided with the distribution.
3. Neither the name of the copyright holder nor the names of its contributors may be used to endorse or promote products derived from this software without specific prior written permission.

THIS SOFTWARE IS PROVIDED BY THE COPYRIGHT HOLDERS AND CONTRIBUTORS "AS IS" AND ANY EXPRESS OR IMPLIED WARRANTIES, INCLUDING, BUT NOT LIMITED TO, THE IMPLIED WARRANTIES OF MERCHANTABILITY AND FITNESS FOR A PARTICULAR PURPOSE ARE DISCLAIMED. IN NO EVENT SHALL THE COPYRIGHT HOLDER OR CONTRIBUTORS BE LIABLE FOR ANY DIRECT, INDIRECT, INCIDENTAL, SPECIAL, EXEMPLARY, OR CONSEQUENTIAL DAMAGES (INCLUDING, BUT NOT LIMITED TO, PROCUREMENT OF SUBSTITUTE GOODS OR SERVICES; LOSS OF USE, DATA, OR PROFITS; OR BUSINESS INTERRUPTION) HOWEVER CAUSED AND ON ANY THEORY OF LIABILITY, WHETHER IN CONTRACT, STRICT LIABILITY, OR TORT (INCLUDING NEGLIGENCE OR OTHERWISE) ARISING IN ANY WAY OUT OF THE USE OF THIS SOFTWARE, EVEN IF ADVISED OF THE POSSIBILITY OF SUCH DAMAGE.

THE SOFTWARE IS PROVIDED "AS IS", WITHOUT WARRANTY OF ANY KIND, EXPRESS OR IMPLIED, INCLUDING BUT NOT LIMITED TO THE WARRANTIES OF MERCHANTABILITY, FITNESS FOR A PARTICULAR PURPOSE AND NONINFRINGEMENT. IN NO EVENT SHALL THE AUTHORS OR COPYRIGHT HOLDERS BE LIABLE FOR ANY CLAIM, DAMAGES OR OTHER LIABILITY, WHETHER IN AN ACTION OF CONTRACT, TORT OR OTHERWISE, ARISING FROM, OUT OF OR IN CONNECTION WITH THE SOFTWARE OR THE USE OR OTHER DEALINGS IN THE SOFTWARE.

CMSIS 5.6.0

Copyright (c) 2020-2021 Arm Limited. All rights reserved.

TERMS AND CONDITIONS FOR USE, REPRODUCTION, AND DISTRIBUTION

1. Definitions.

"License" shall mean the terms and conditions for use, reproduction, and distribution as defined by Sections 1 through 9 of this document.

"Licensor" shall mean the copyright owner or entity authorized by the copyright owner that is granting the License.

"Legal Entity" shall mean the union of the acting entity and all other entities that control, are controlled by, or are under common control with that entity. For the purposes of this definition, "control" means (i) the power, direct or indirect, to cause the direction or management of such entity, whether by contract or otherwise, or (ii) ownership of fifty percent (50%) or more of the outstanding shares, or (iii) beneficial ownership of such entity.

"You" (or "Your") shall mean an individual or Legal Entity exercising permissions granted by this License.

"Source" form shall mean the preferred form for making modifications, including but not limited to software source code, documentation source, and configuration files.

"Object" form shall mean any form resulting from mechanical transformation or translation of a Source form, including but not limited to compiled object code, generated documentation, and conversions to other media types.

"Work" shall mean the work of authorship, whether in Source or Object form, made available under the License, as indicated by a copyright notice that is included in or attached to the work (an example is provided in the Appendix below).

"Derivative Works" shall mean any work, whether in Source or Object form, that is based on (or derived from) the Work and for which the editorial revisions, annotations, elaborations, or other modifications represent, as a whole, an original work of authorship. For the purposes of this License, Derivative Works shall not include works that remain separable from, or merely link (or bind by name) to the interfaces of, the Work and Derivative Works thereof.

"Contribution" shall mean any work of authorship, including the original version of the Work and any modifications or additions to that Work or Derivative Works thereof, that is intentionally submitted to Licensor for inclusion in the Work by the copyright owner or by an individual or Legal Entity authorized to submit on behalf of the copyright owner. For the purposes of this definition, "submitted" means any form of electronic, verbal, or written communication sent to the Licensor or its representatives, including but not limited to communication on electronic mailing lists, source code control systems, and issue tracking systems that are managed by, or on behalf of, the

Licensor for the purpose of discussing and improving the Work, but excluding communication that is conspicuously marked or otherwise designated in writing by the copyright owner as "Not a Contribution."

"Contributor" shall mean Licensor and any individual or Legal Entity on behalf of whom a Contribution has been received by Licensor and subsequently incorporated within the Work.

2. Grant of Copyright License. Subject to the terms and conditions of this License, each Contributor hereby grants to You a perpetual, worldwide, non-exclusive, no-charge, royalty-free, irrevocable copyright license to reproduce, prepare Derivative Works of, publicly display, publicly perform, sublicense, and distribute the Work and such Derivative Works in Source or Object form.

3. Grant of Patent License. Subject to the terms and conditions of this License, each Contributor hereby grants to You a perpetual, worldwide, non-exclusive, no-charge, royalty-free, irrevocable (except as stated in this section) patent license to make, have made, use, offer to sell, sell, import, and otherwise transfer the Work, where such license applies only to those patent claims licensable by such Contributor that are necessarily infringed by their Contribution(s) alone or by combination of their Contribution(s) with the Work to which such Contribution(s) was submitted. If You institute patent litigation against any entity (including a cross-claim or counterclaim in a lawsuit) alleging that the Work or a Contribution incorporated within the Work constitutes direct or contributory patent infringement, then any patent licenses granted to You under this License for that Work shall terminate as of the date such litigation is filed.

4. Redistribution. You may reproduce and distribute copies of the Work or Derivative Works thereof in any medium, with or without modifications, and in Source or Object form, provided that You meet the following conditions:

(a) You must give any other recipients of the Work or Derivative Works a copy of this License; and

(b) You must cause any modified files to carry prominent notices stating that You changed the files; and

(c) You must retain, in the Source form of any Derivative Works that You distribute, all copyright, patent, trademark, and attribution notices from the Source form of the Work, excluding those notices that do not pertain to any part of the Derivative Works; and

(d) If the Work includes a "NOTICE" text file as part of its distribution, then any Derivative Works that You distribute must include a readable copy of the attribution notices contained within such NOTICE file, excluding those notices that do not pertain to any part of the Derivative Works, in at least one of the following places: within a NOTICE text file distributed as part of the Derivative Works; within the Source form or documentation, if provided along with the Derivative Works; or, within a display generated by the Derivative Works, if and wherever such third-party notices normally appear. The contents

of the NOTICE file are for informational purposes only and do not modify the License. You may add Your own attribution notices within Derivative Works that You distribute, alongside or as an addendum to the NOTICE text from the Work, provided that such additional attribution notices cannot be construed as modifying the License.

You may add Your own copyright statement to Your modifications and may provide additional or different license terms and conditions for use, reproduction, or distribution of Your modifications, or for any such Derivative Works as a whole, provided Your use, reproduction, and distribution of the Work otherwise complies with the conditions stated in this License.

5. Submission of Contributions. Unless You explicitly state otherwise, any Contribution intentionally submitted for inclusion in the Work by You to the Licensor shall be under the terms and conditions of this License, without any additional terms or conditions. Notwithstanding the above, nothing herein shall supersede or modify the terms of any separate license agreement you may have executed with Licensor regarding such Contributions.

6. Trademarks. This License does not grant permission to use the trade names, trademarks, service marks, or product names of the Licensor, except as required for reasonable and customary use in describing the origin of the Work and reproducing the content of the NOTICE file.

7. Disclaimer of Warranty. Unless required by applicable law or agreed to in writing, Licensor provides the Work (and each Contributor provides its Contributions) on an "AS IS" BASIS, WITHOUT WARRANTIES OR CONDITIONS OF ANY KIND, either express or implied, including, without limitation, any warranties or conditions of TITLE, NON-INFRINGEMENT, MERCHANTABILITY, or FITNESS FOR A PARTICULAR PURPOSE. You are solely responsible for determining the appropriateness of using or redistributing the Work and assume any risks associated with Your exercise of permissions under this License.

8. Limitation of Liability. In no event and under no legal theory, whether in tort (including negligence), contract, or otherwise, unless required by applicable law (such as deliberate and grossly negligent acts) or agreed to in writing, shall any Contributor be liable to You for damages, including any direct, indirect, special, incidental, or consequential damages of any character arising as a result of this License or out of the use or inability to use the Work (including but not limited to damages for loss of goodwill, work stoppage, computer failure or malfunction, or any and all other commercial damages or losses), even if such Contributor has been advised of the possibility of such damages.

9. Accepting Warranty or Additional Liability. While redistributing the Work or Derivative Works thereof, You may choose to offer, and charge a fee for, acceptance of support, warranty, indemnity, or other liability obligations and/or rights consistent with this License. However, in accepting such obligations, You may act only on Your own behalf and on Your sole responsibility, not on behalf of any other Contributor, and only if You agree to indemnify, defend, and hold each Contributor harmless for any liability incurred by, or claims asserted against, such Contributor by reason

of your accepting any such warranty or additional liability.

END OF TERMS AND CONDITIONS

APPENDIX: How to apply the Apache License to your work.

To apply the Apache License to your work, attach the following boilerplate notice, with the fields enclosed by brackets "{}" replaced with your own identifying information. (Don't include the brackets!) The text should be enclosed in the appropriate comment syntax for the file format. We also recommend that a file or class name and description of purpose be included on the same "printed page" as the copyright notice for easier identification within third-party archives.

Copyright {yyyy} {name of copyright owner}

Licensed under the Apache License, Version 2.0 (the "License");
you may not use this file except in compliance with the License.
You may obtain a copy of the License at

<http://www.apache.org/licenses/LICENSE-2.0>

Unless required by applicable law or agreed to in writing, software distributed under the License is distributed on an "AS IS" BASIS, WITHOUT WARRANTIES OR CONDITIONS OF ANY KIND, either express or implied. See the License for the specific language governing permissions and limitations under the License.

F-756-100-15(1) Copyright 2021 Sony Corporation

Vlog監視器
XQZ-IV01

法律資訊



使用之前，請先閱讀另附的重要資訊小手冊。

本說明指南由Sony Corporation或其當地聯屬公司印製。本說明指南不具任何保固項目。Sony Corporation可能因印刷錯誤、最新資訊有誤或因程式和/或設備改良而隨時對本說明指南進行修改，恕不另行通知。前述更動將納入本說明指南之後續版本。

1-7-1 Konan Minato-ku Tokyo, 108-0075 Japan

製造商：Sony Corporation

EU進口商/製造商的授權代表：Sony Europe B.V., Da Vincilaan 7-D1, 1930 Zaventem, Belgium.

UK進口商/製造商的授權代表：Sony Europe B.V., The Heights, Brooklands, Weybridge, Surrey KT13 0XW, United Kingdom.

本文所述之所有產品和公司名稱為其各自所有者的商標或註冊商標。任何未經明示授予的權利均予保留。所有其他商標均屬於其各自所有者的財產。

如需詳細資訊，請造訪<https://www.sony.net/Products/smartphones/trademarks-and-copyright.html>。

所有圖片僅供功能說明參考，請以實際配件為準。

FCC Statement

You are cautioned that any changes or modifications not expressly approved in this manual could void your authority to operate this equipment.

“Note: This equipment has been tested and found to comply with the limits for a Class B digital device, pursuant to part 15 of the FCC Rules. These limits are designed to provide reasonable protection against harmful interference in a residential installation. This equipment generates, uses and can radiate radio frequency energy and, if not installed and used in accordance with the instructions, may cause harmful interference to radio communications.

However, there is no guarantee that interference will not occur in a particular installation.

If this equipment does cause harmful interference to radio or television reception, which can be determined by turning the equipment off and on, the user is encouraged to try to correct the interference by one or more of the following measures:

- Reorient or relocate the receiving antenna.
- Increase the separation between the equipment and receiver.
- Connect the equipment into an outlet on a circuit different from that to which the receiver is connected.
- Consult the dealer or an experienced radio/TV technician for help.”

Supplier's Declaration of Conformity

Trade Name : Sony

Model : AI-1500

Responsible Party : Sony Electronics Inc.

Address : 16535 Via Esprillo, San Diego, CA 92127 U.S.A.

Telephone Number : 858-942-2230